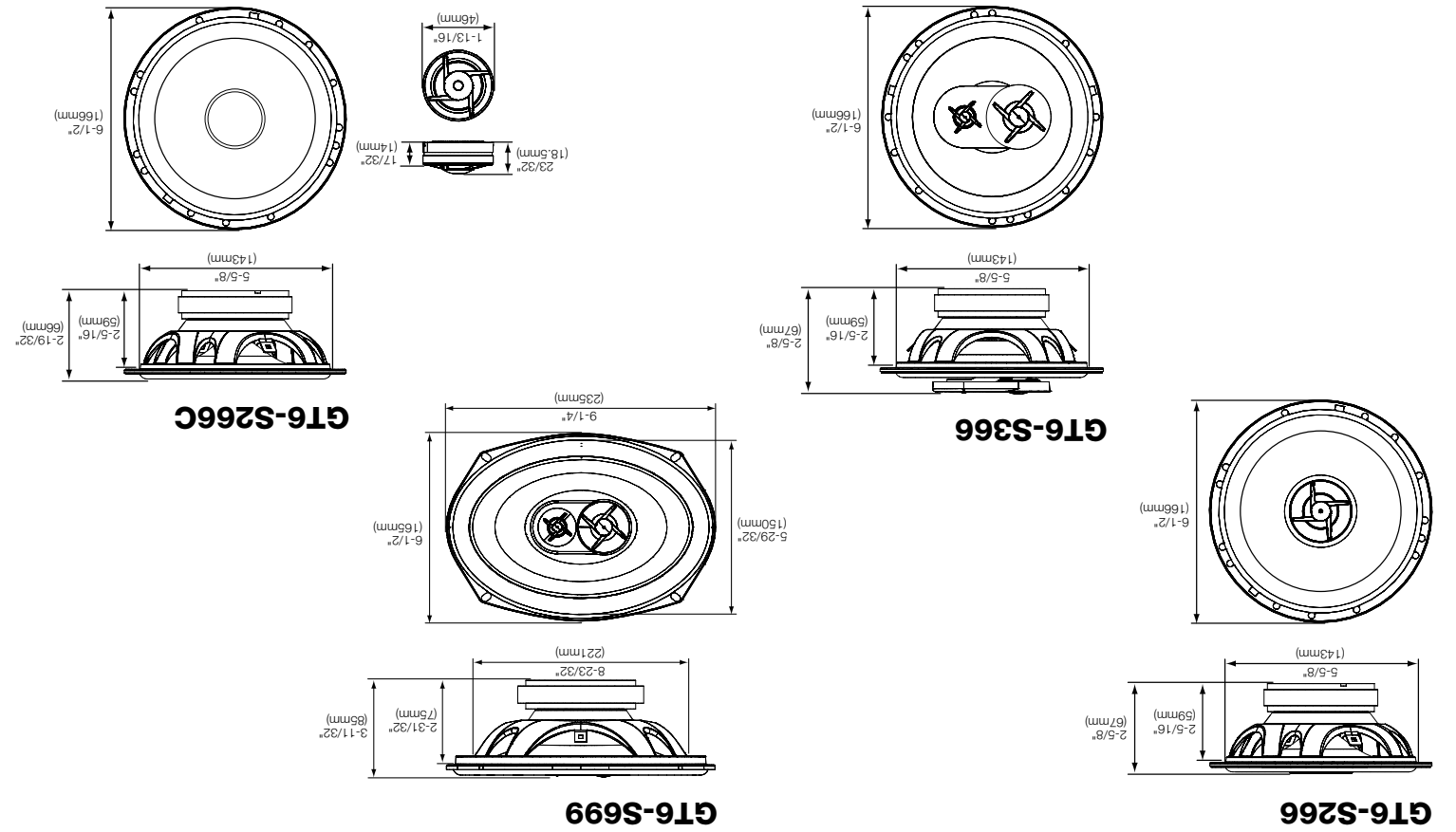


Type	GT6-S266	GT6-S366	GT6-S699	GT6-S266C
Continuous power handling	65W	65W	75W	65W
Peak power handling	220W	260W	300W	260W
Frequency response	50Hz - 20kHz	50Hz - 20kHz	40Hz - 20kHz	50Hz - 20kHz
Nominal impedance	4 ohms	4 ohms	4 ohms	4 ohms
Sensitivity (2.83V/m)	93dB	93dB	94dB	92dB

### SPECIFICATIONS

BL (T.m)	GT6-S266	GT6-S366	GT6-S699	GT6-S266C
DCR (ohms)	3.09	3.13	3.09	3.09
Mms (g)	10.97	11.22	19.54	11.24
Sd (cm <sup>2</sup> )	143.14	143.14	222.66	143.14
Cms (um/N)	359	364	399	445
Vas (l)	10.33	10.46	27.78	12.80
Fs (Hz)	80.20	78.78	57.00	71.18
Qes	1.03	1.01	0.75	1.12
Qms	5.51	5.54	5.60	4.94
Qts	0.87	0.86	0.66	0.91

### THREE-SMALL PARAMETERS



# JBL® GT6-S SERIES

car audio speaker



HARMAN

HARMAN Consumer, Inc.  
8500 Balboa Boulevard, Northridge, CA 91329 USA

© 2010 HARMAN International Industries, Incorporated. All rights reserved.  
JBL is a trademark of HARMAN International Industries, Incorporated,  
registered in the United States and/or other countries.

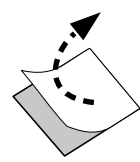
Features, specifications and appearance are subject to change without notice.

www.jbl.com

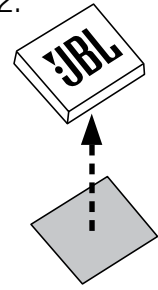
INSTALLATION MANUAL



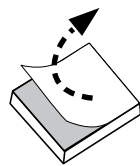
1.



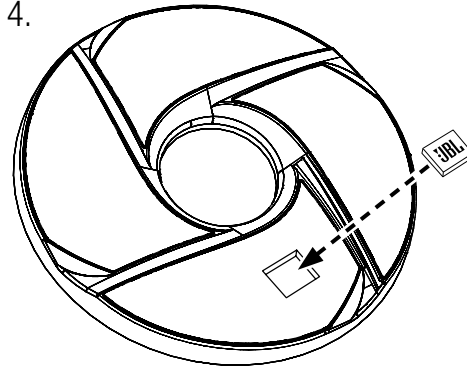
2.



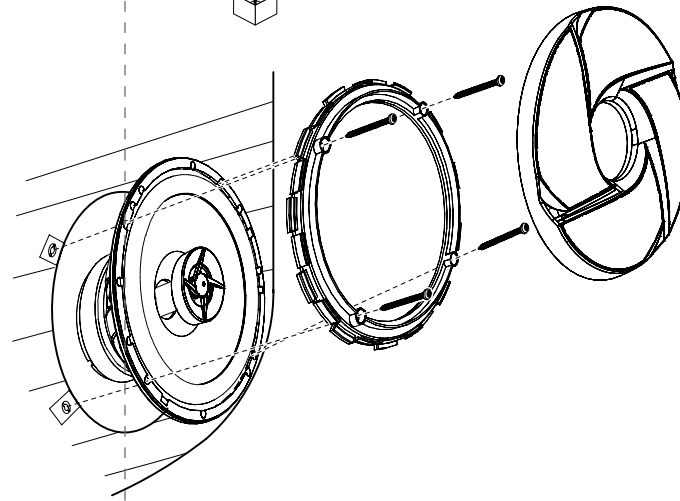
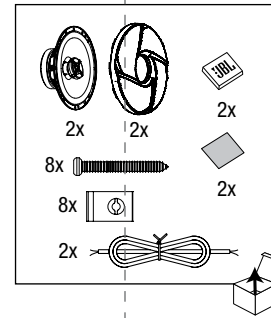
3.



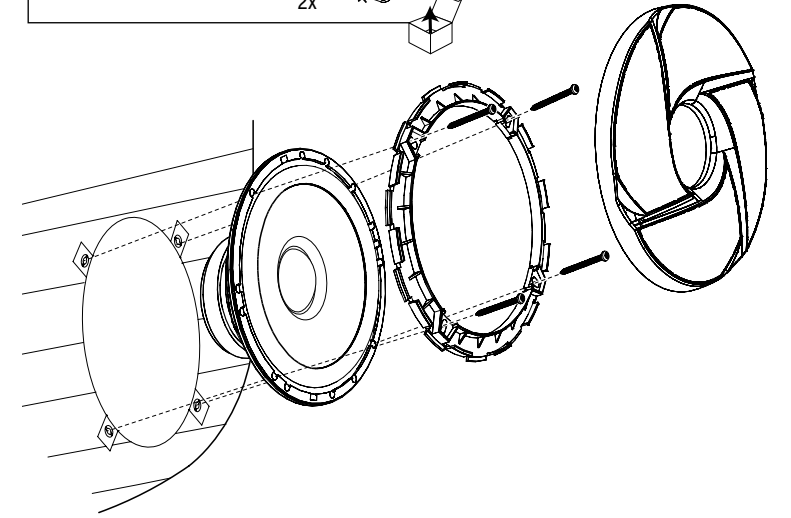
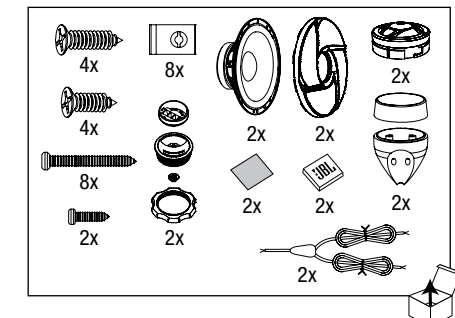
4.



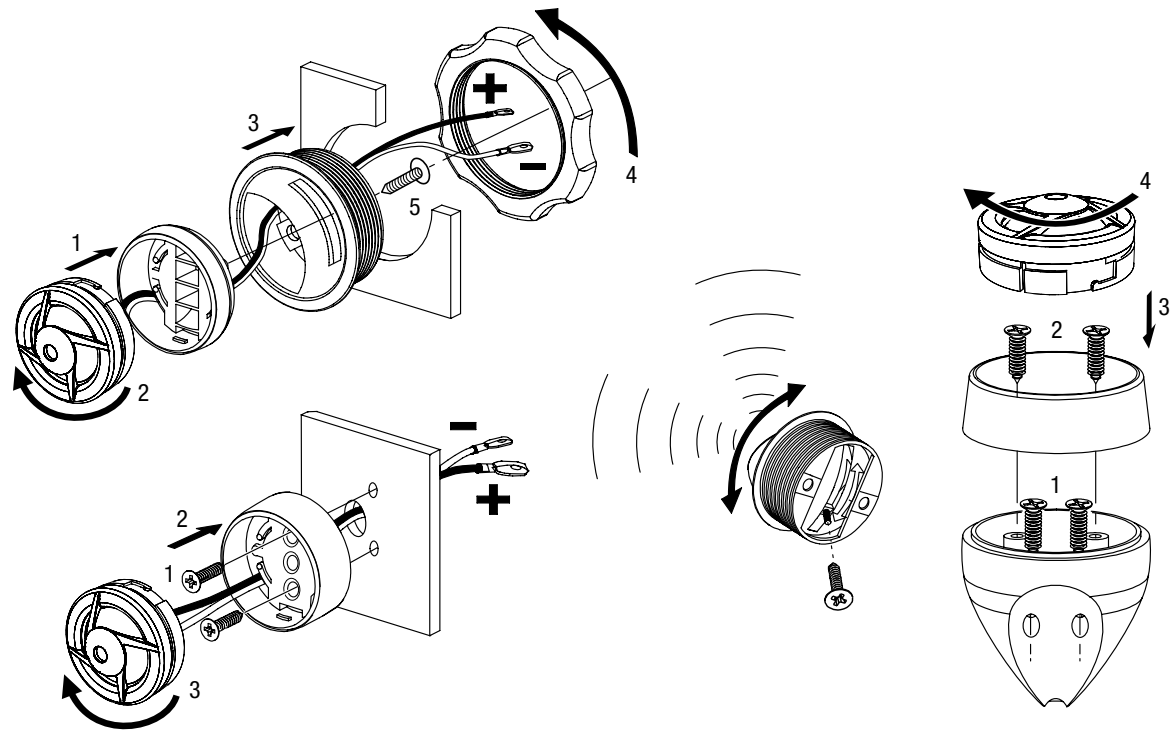
### GT6-S266, GT6-S366, GT6-S699



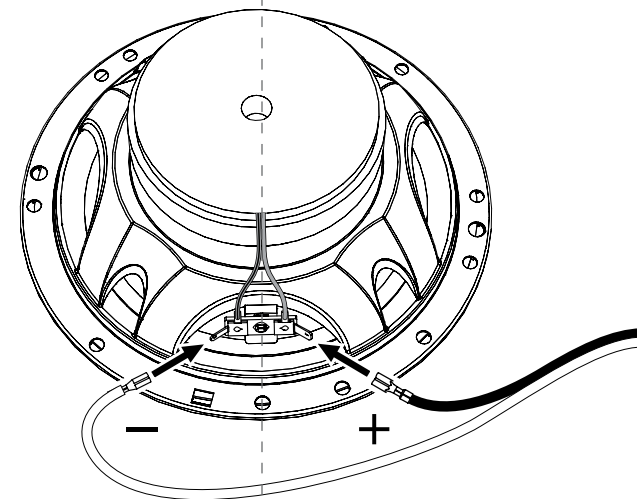
### GT6-S266C WOOFER



### GT6-S266C TWEETER



### GT6-S266, GT6-S366, GT6-S699



### GT6-S266C

